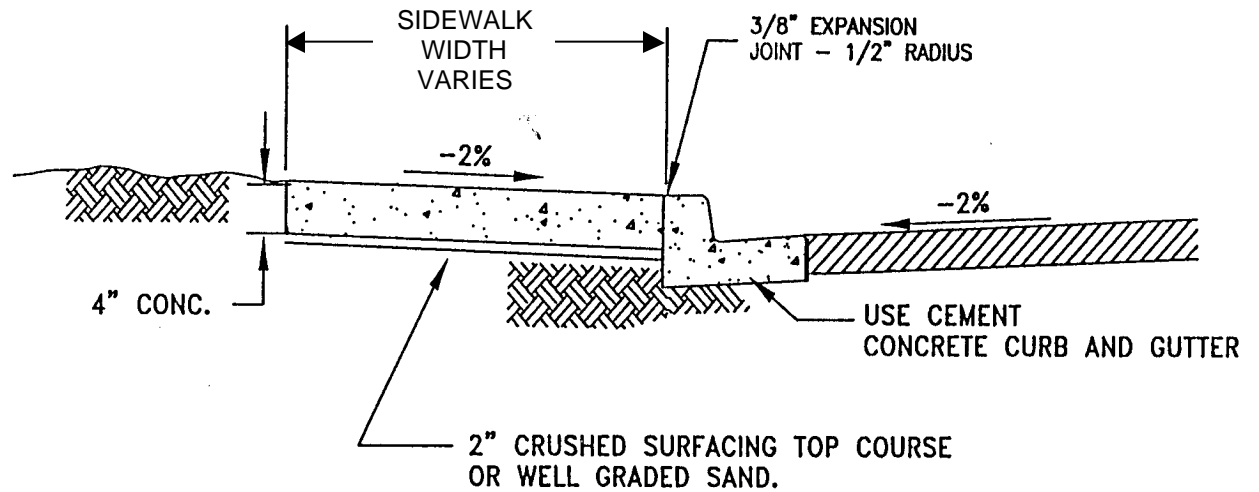


GENERAL NOTES:

1. FOR JOINTS AND SCORING, SEE STANDARD FOR SIDEWALK SPACING, EXPANSION JOINTS, AND SCORE MARKS.
2. AT CONCRETE DRIVEWAYS, SIDEWALKS SHALL BE A MINIMUM DEPTH OF 6".
3. WHEN CHECKED WITH A 10 FOOT STRAIGHTEDGE, GRADE SHALL NOT DEVIATE MORE THAN 1/8 INCH, AND ALIGNMENT SHALL NOT VARY MORE THAN 1/4 INCH.



Sidewalk.doc



SKAGIT COUNTY
DEPARTMENT OF
PUBLIC WORKS

REVISIONS	DATE

ROADWAY
STANDARDS

SIDEWALK
FIGURE C - 9

6/26/200